

### Remove and install the charge air line



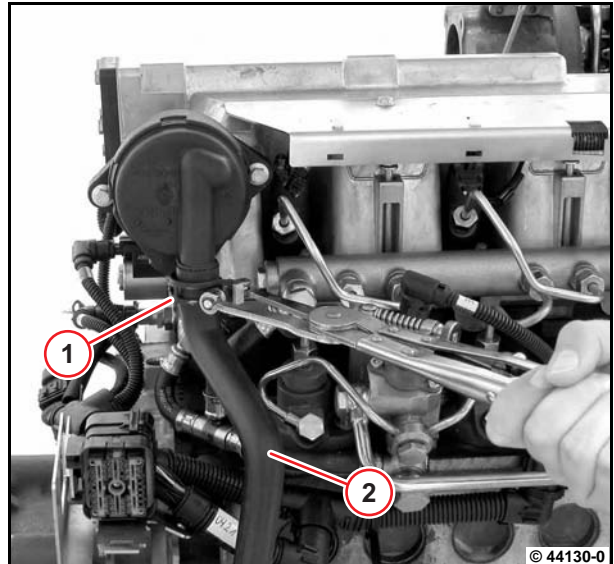
Commercial available tools:  
– Spring band pliers . . . . . 9090



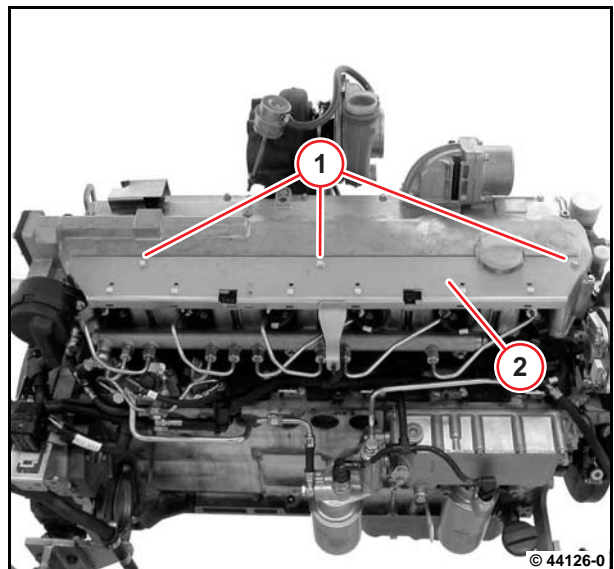
– W 13-08-01

### Remove charge air line

- Loosen spring band clip (1) with spring band pliers.
- Pull off bleeding hose (2).

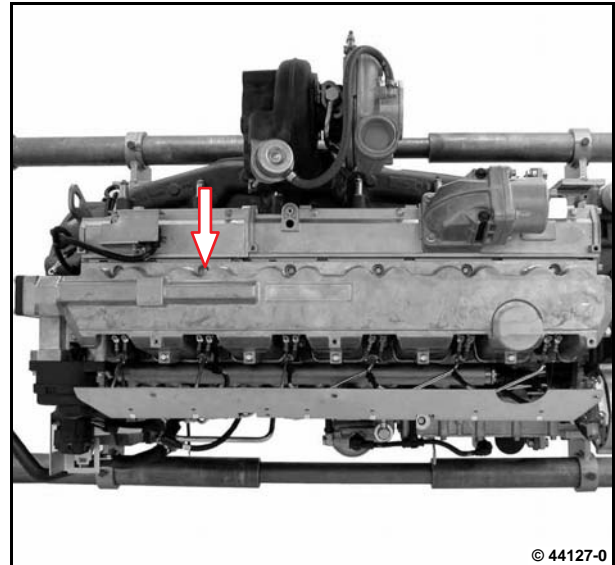


- Unscrew screws (1).
- Remove the cover (2).

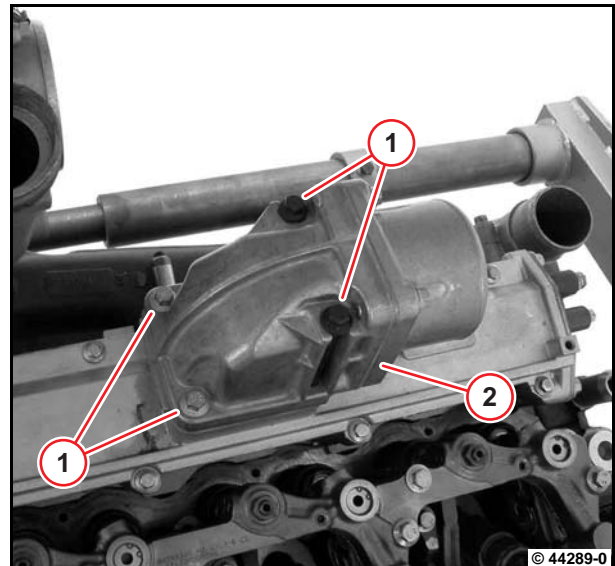


- Unscrew all screws (arrow).
- Remove cylinder head cover and gasket.
- Remove pressure/temperature sensor.

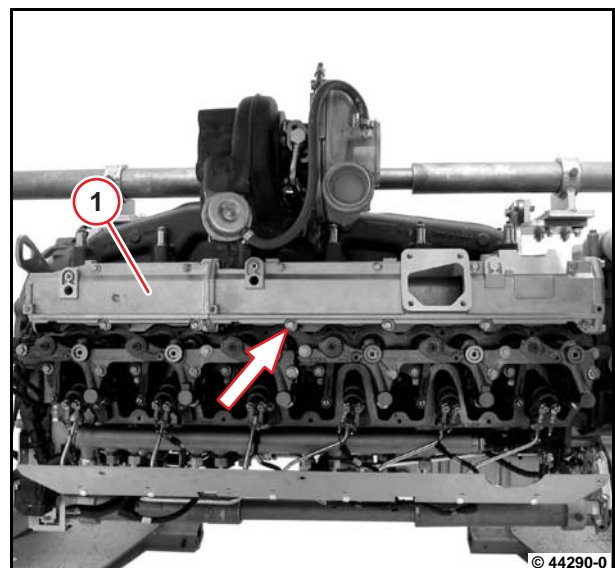
 W 13-08-01



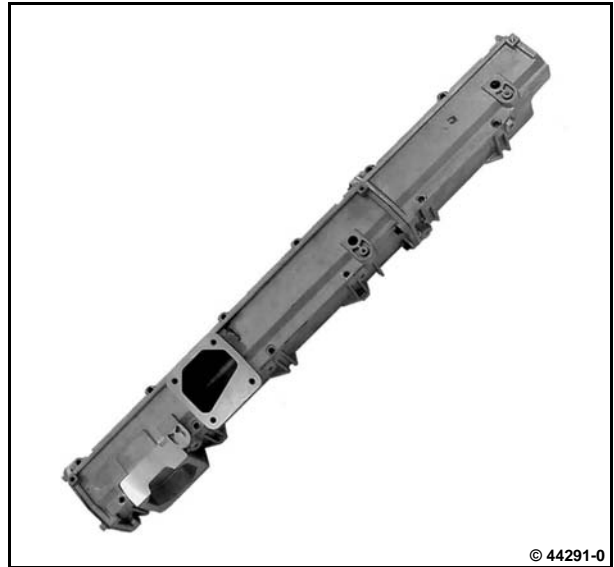
- Unscrew screws (1).
- Remove charge air manifold (2).
- Remove gasket.



- Unscrew all screws (arrow).
- Remove charge air line (1).
- Remove gasket.



- Visually inspect the components.

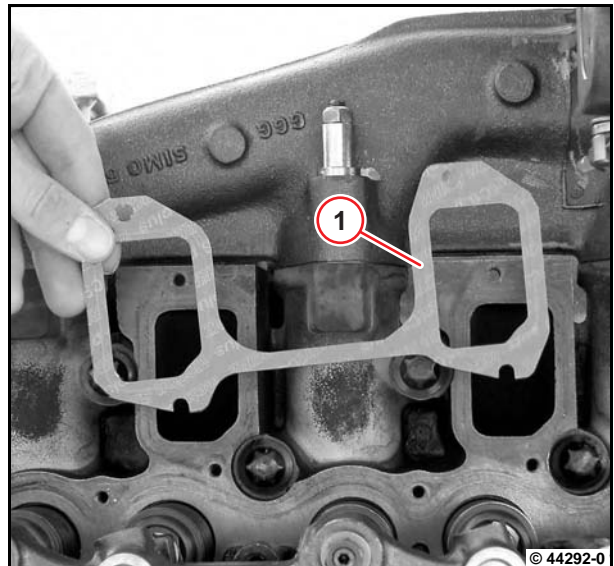


### Install charge air line

- Clean sealing surfaces.
- Mount new gaskets (1).



Ensure that the installation location is free from faults.



- Mount charge air line.
- Fasten screws.



Do not move gaskets.

- Tighten the screws alternately from the centre outwards.

 A06 030

